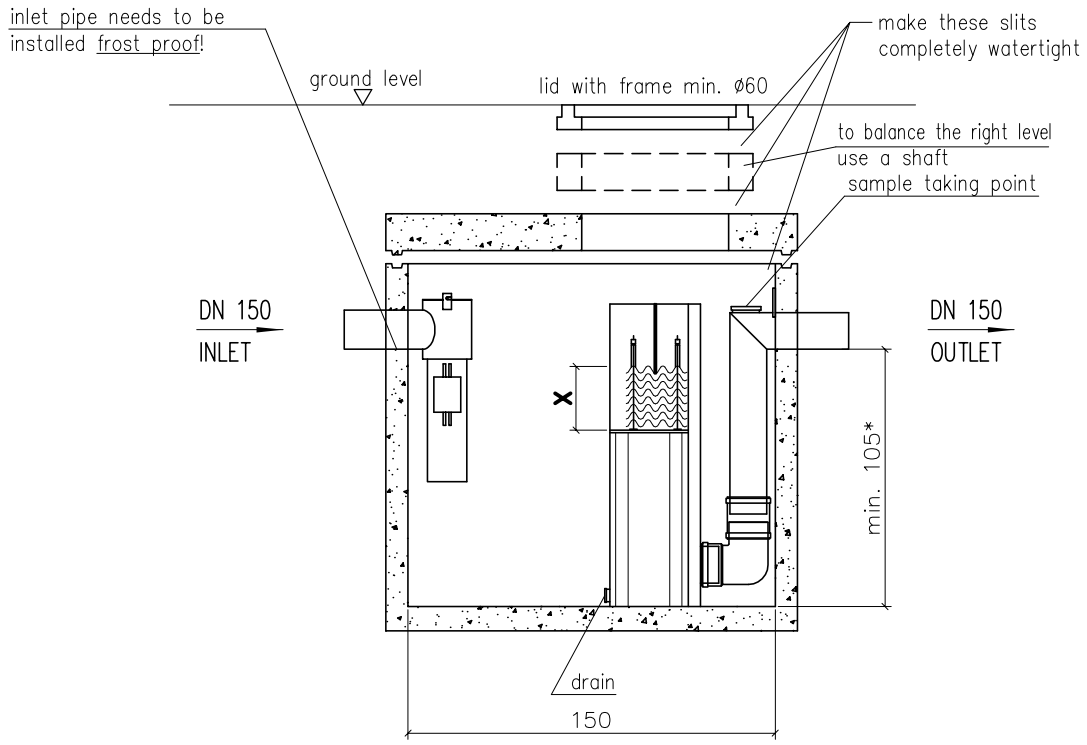
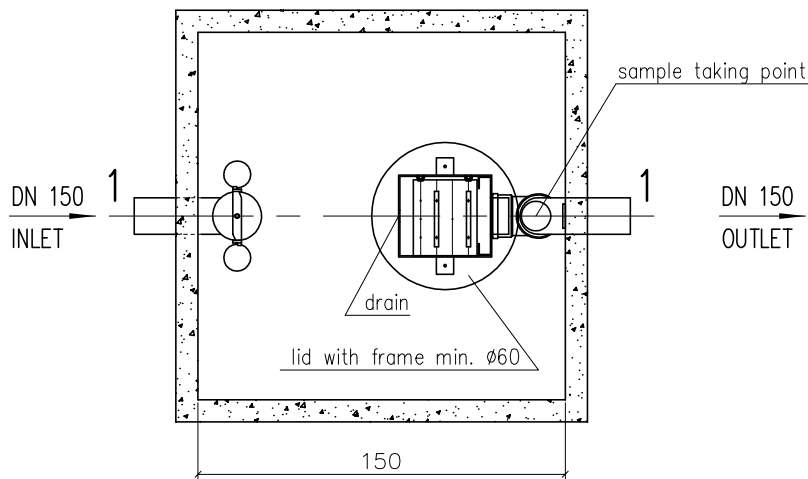


diameter 1-1



ground plan



Model	plate pack hight X	flow rate in l/sec.	plate distance in mm.
M+R 2 RE	52	2	12
M+R 3 RE	78	3	12
M+R 4 RE	104	4	12
M+R 5 RE	65	5	6
M+R 6 RE	78	6	6
M+R 8 RE	104	8	6

measurements in cm!

date:	name:	FRYXIT	Model:
constr.: 01.06.2012	Mei		M+R _ RE_60
contr.:			
OIL SEPARATOR			drawing no.:
including silt chamber			M+R2-8RE-60
			modif.:
			date: