



Appendix A.3

BARGE WITH 5 SMALL BOATS SOLUTION

(flow rate : 300 l/min)

DELIVERY SCOPE of FREYLIT

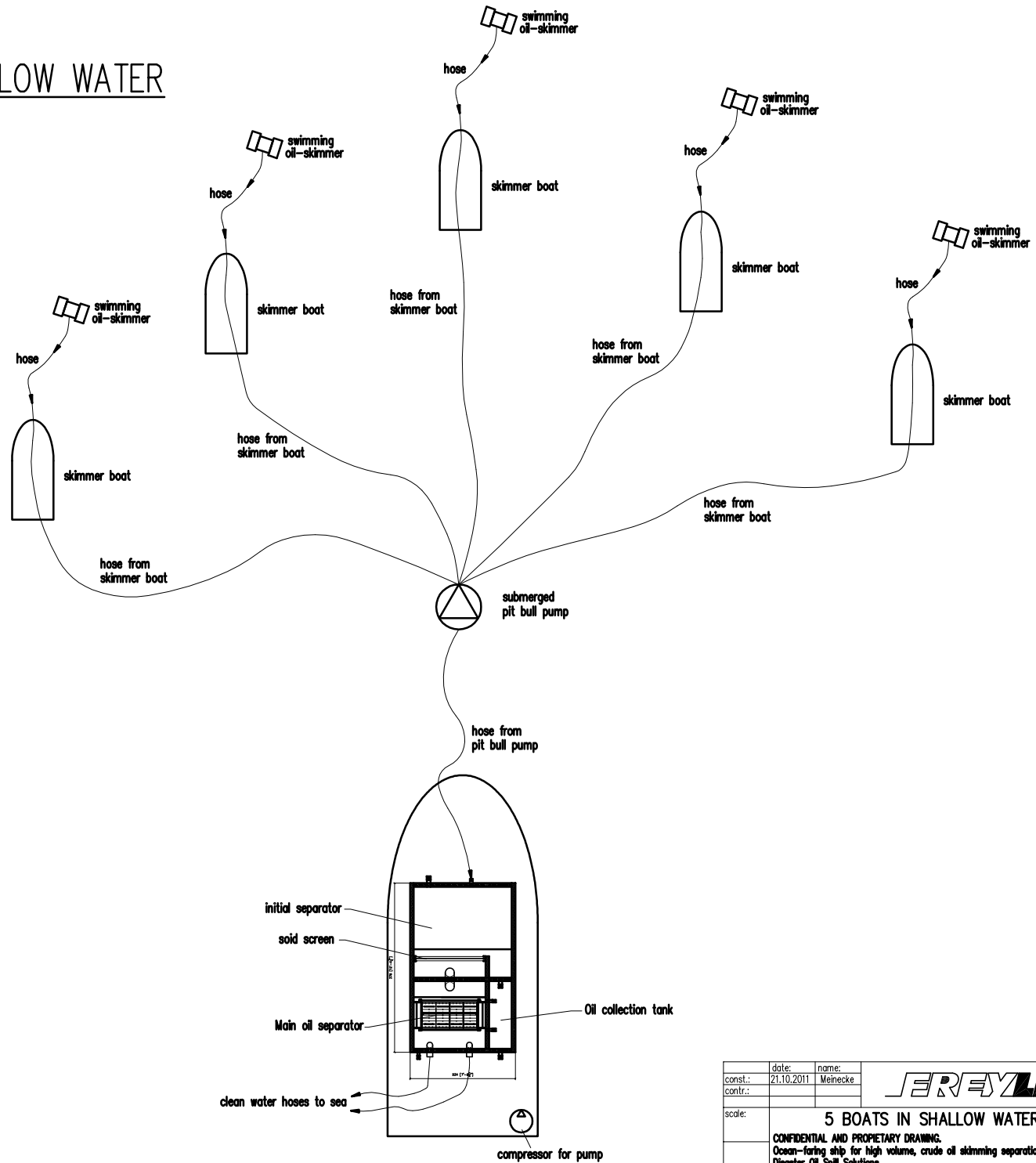
- 1) Delivery of one Mobile FREYLIT Mineral oil and Residual oil Separator Type : M+R 15 PSF (material of container polypropylene)
- 2) Delivery of one FREYLIT oil alarm system which is installed inside the separator . If the oil layer in the separator reach an oil thickness of 15 cm an acoustic signal sounds .
- 3) Delivery of 3 ball valves which are installed inside the oil separator to release the oil from the separator into the oil collection tank .
- 4) Delivery of 2 pieces solid screens which are installed in the initial separator before the oil separator
- 5) Delivery of one Pit Bull Pump to pump the oil water mixture from the FREYLIT Skimmer to the FREYLIT Mineral oil and Residual oil Separator
- 6) Dimensioning of an compressor which power the Pit Bull Pump **Not supplied by FREYLIT**
- 7) Delivery of 5 FREYLIT floating Skimmer

DELIVERY SCOPE of CUSTOMER

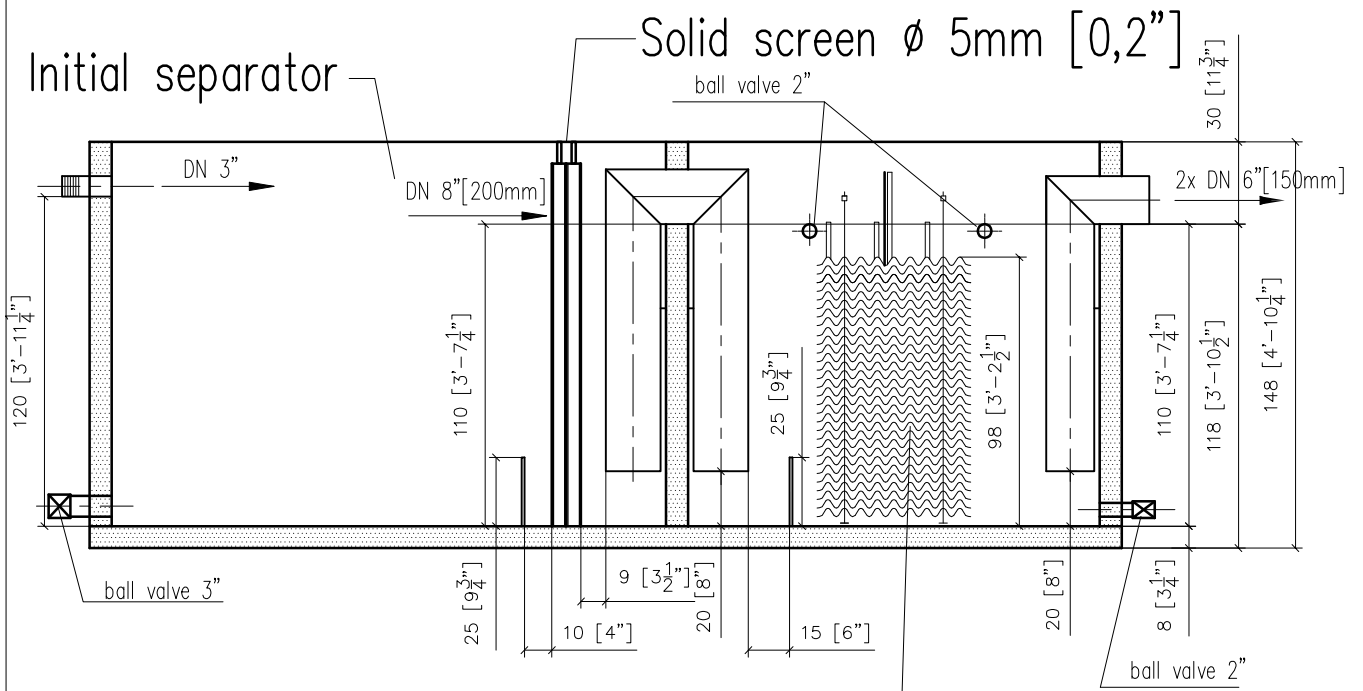
- 1) Delivery of 5 small boats with staff to operate the FREYLIT floating Skimmer .
- 2) Delivery of a Barge or bigger boat on which the following parts have to be installed :
Mobile FREYLIT Mineral oil and Residual oil Separator, Pit Bull Pump,
air compressor
- 3) Delivery of an air compressor according dimensioning of FREYLIT
- 4) Delivery of hoses (inside diameter 32 mm) which have to be installed
Between 5 pcs Skimmer and the Pit Bull Pump
- 5) Delivery of one hose (DN 100) mm)which have to be installed between Pit Bull Pump and
Mobile FREYLIT Mineral oil and Residual oil Separator on the Barge
- 6) Delivery of two hoses or pipes (DN 125) which have to be installed on the outlet of the
Mobile FREYLIT Mineral oil and Residual oil Separator to release the clean water with an
maximum oil content of 5 ppm back into the sea.
- 7) Electrical Connection between the electrode from the oil alarm system and the battery of
the boat (12 V)

5 BOATS IN SHALLOW WATER

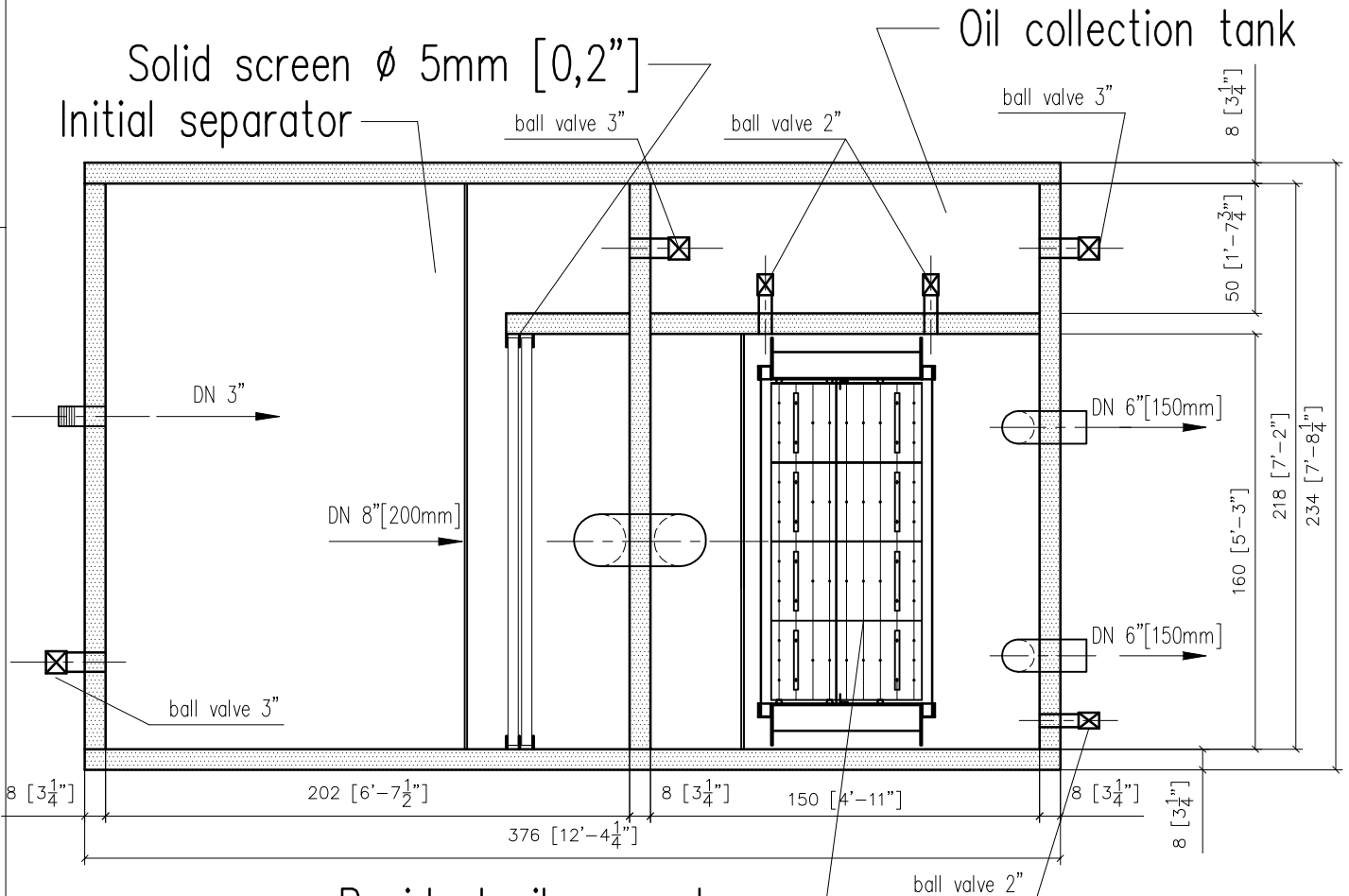
flow rate: 90 – 300 l/min



const.:	date:	name:	FERREY LIT AUSTRIA <small>Trademark</small>
contr.:	21.10.2011	Meinecke	
scale:	5 BOATS IN SHALLOW WATER		drawing no.:
<small>CONFIDENTIAL AND PROPRIETARY DRAWING. Ocean-faring ship for high volume, crude oil skimming separation and extraction Disaster Oil Spill Solutions.</small>			OS LBB system
			modif.:
			date:



Residual oil separator



Residual oil separator

measurements in cm!

const.:	date: 25.10.2011	name: Meinecke		type:	90-300 l/min
contr.:				drawing no.:	M+R15PSF_LBB
scale:	MINERAL- and RESIDUAL OIL SEPARATOR CONFIDENTIAL AND PROPRIETARY DRAWING. Ocean-faring ship for high volume, crude oil skimming separation and extraction Disaster Oil Spill Solutions.			modif.:	
				date:	